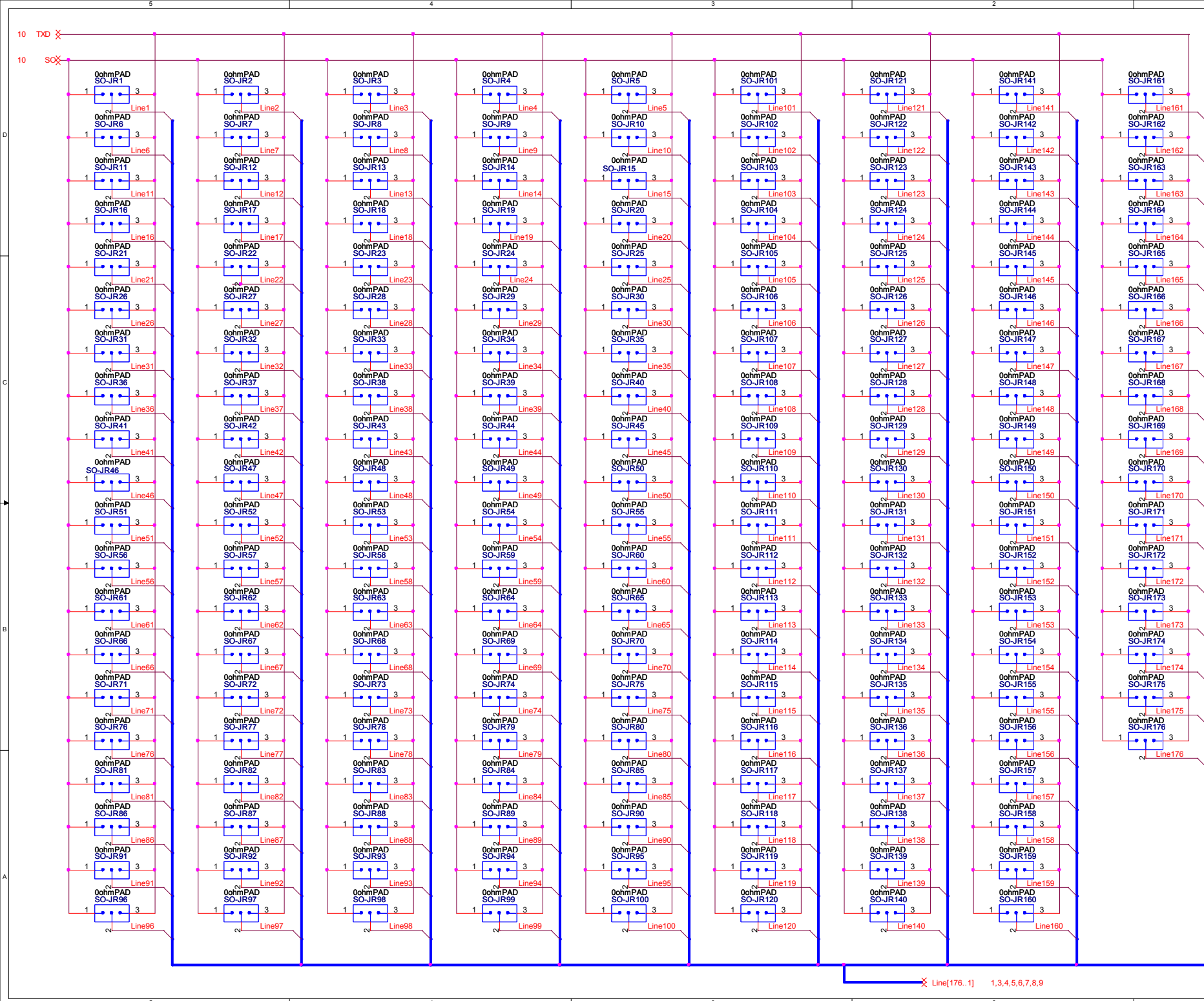
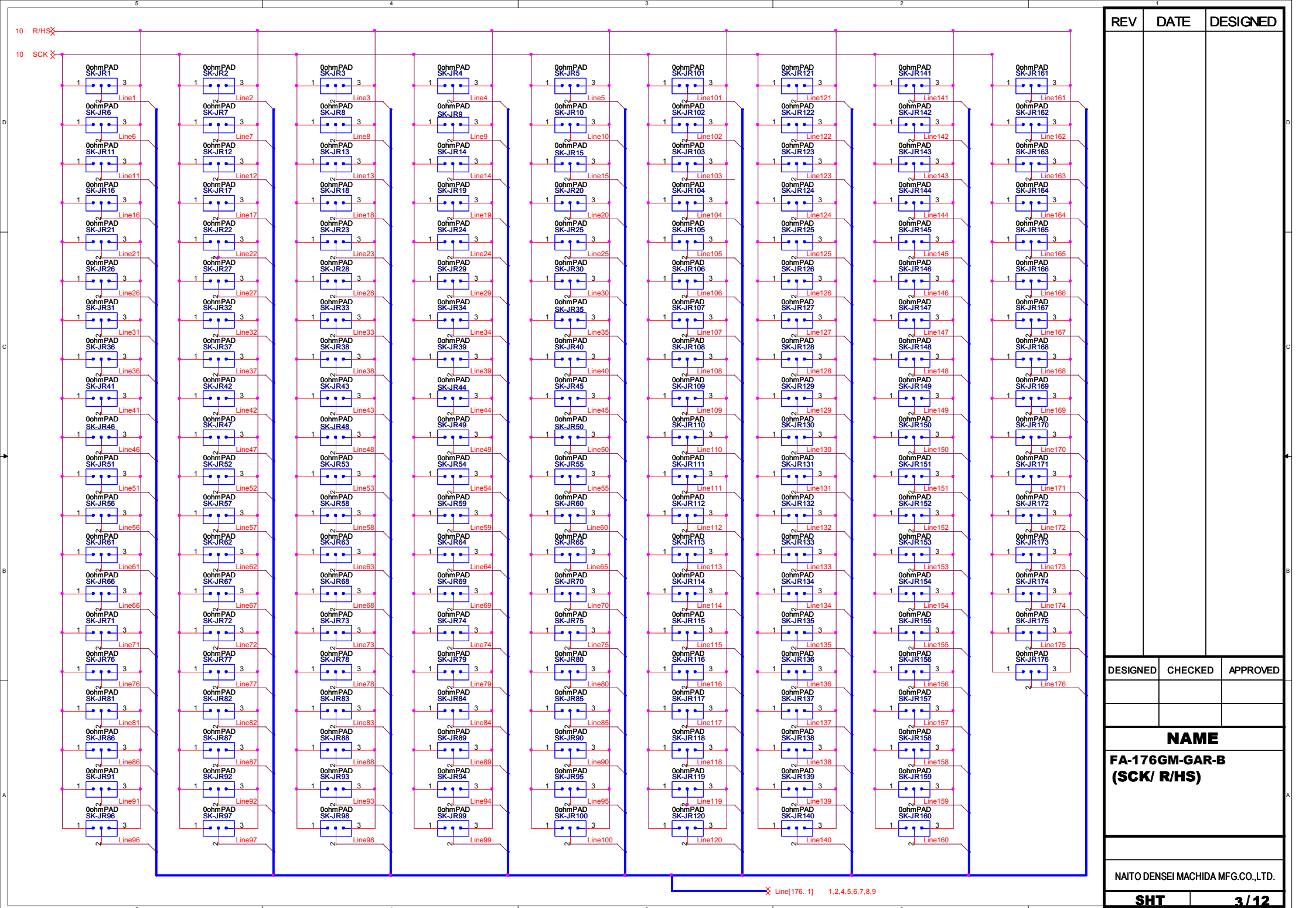
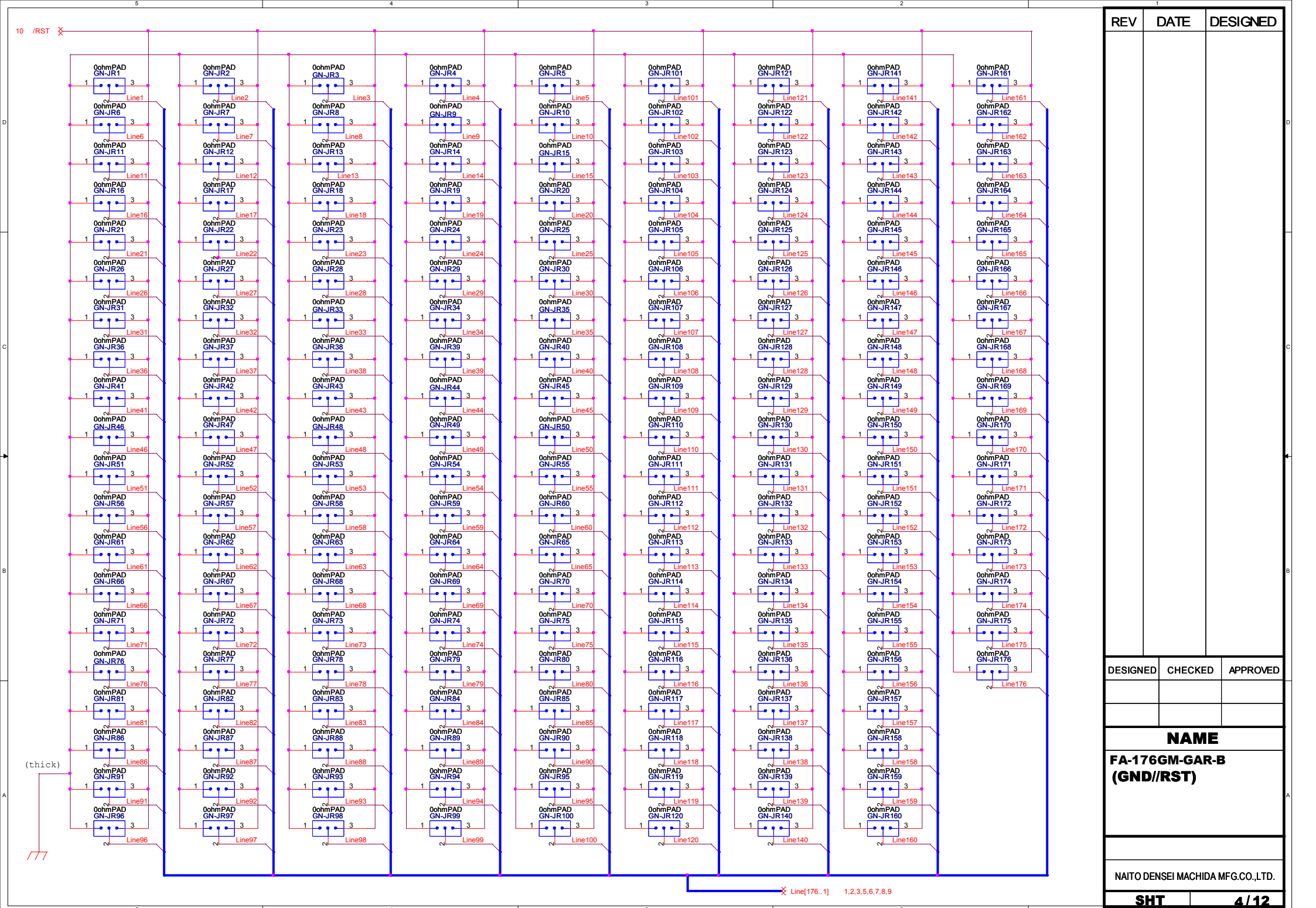


REV	DATE	DESIGNED
DESIGNED	CHECKED	APPROVED
NAME		
FA-176GM-GAR-B		
(SI/RxD)		
NAITO DENSEI MACHIDA MFG.CO.,LTD.		
SHT	1 / 12	



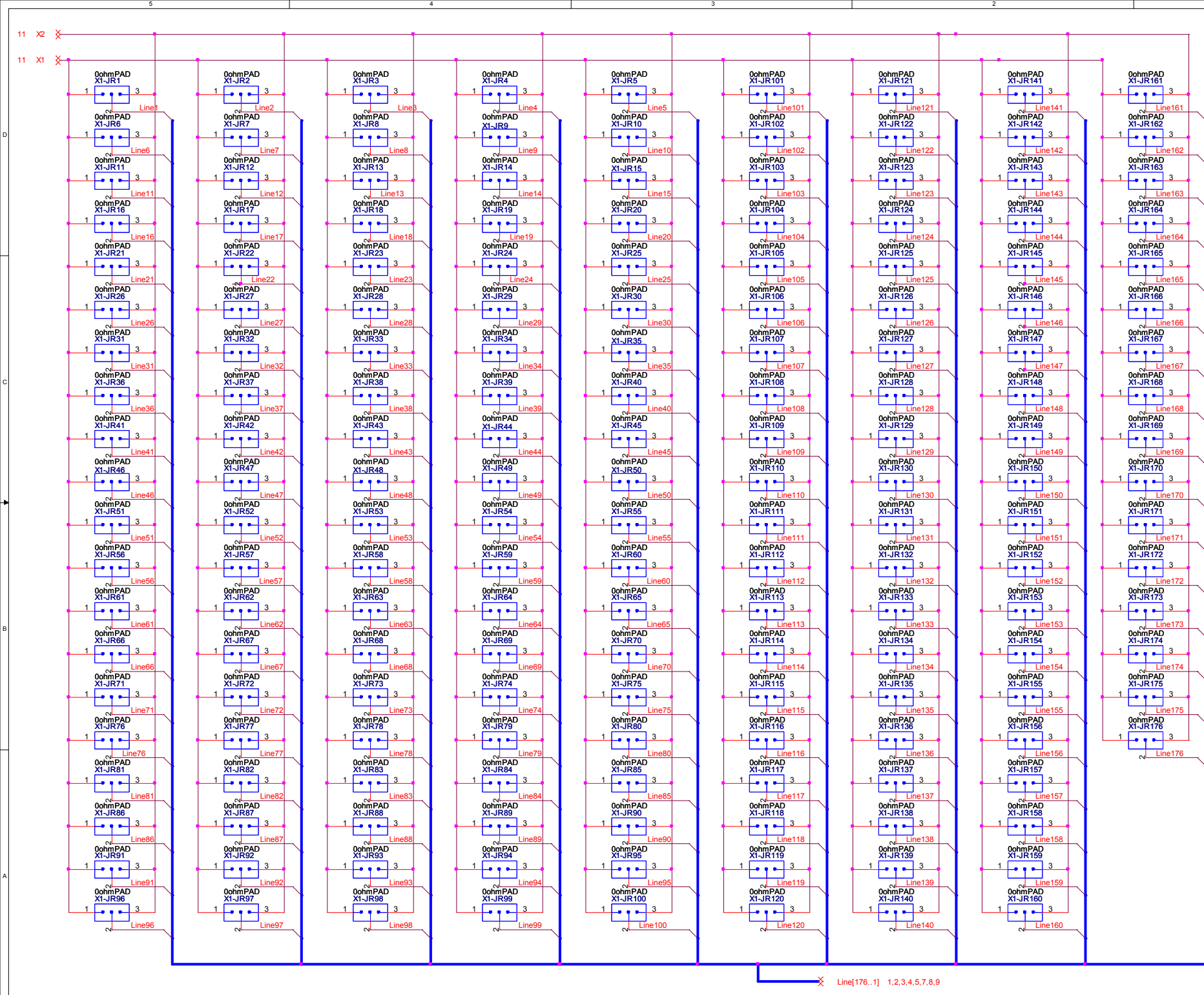
REV	DATE	DESIGNED
DESIGNED	CHECKED	APPROVED
NAME		
FA-176GM-GAR-B (SO/TXD)		
NAITO DENSEI MACHIDA MFG.CO.,LTD.		
SHT	2/12	





REV	DATE	DESIGNED
DESIGNED	CHECKED	APPROVED
NAME		
FA-176GM-GAR-B (GND//RST)		
NAITO DENSEI MACHIDA MFG.CO.,LTD.		
SHT		4/12

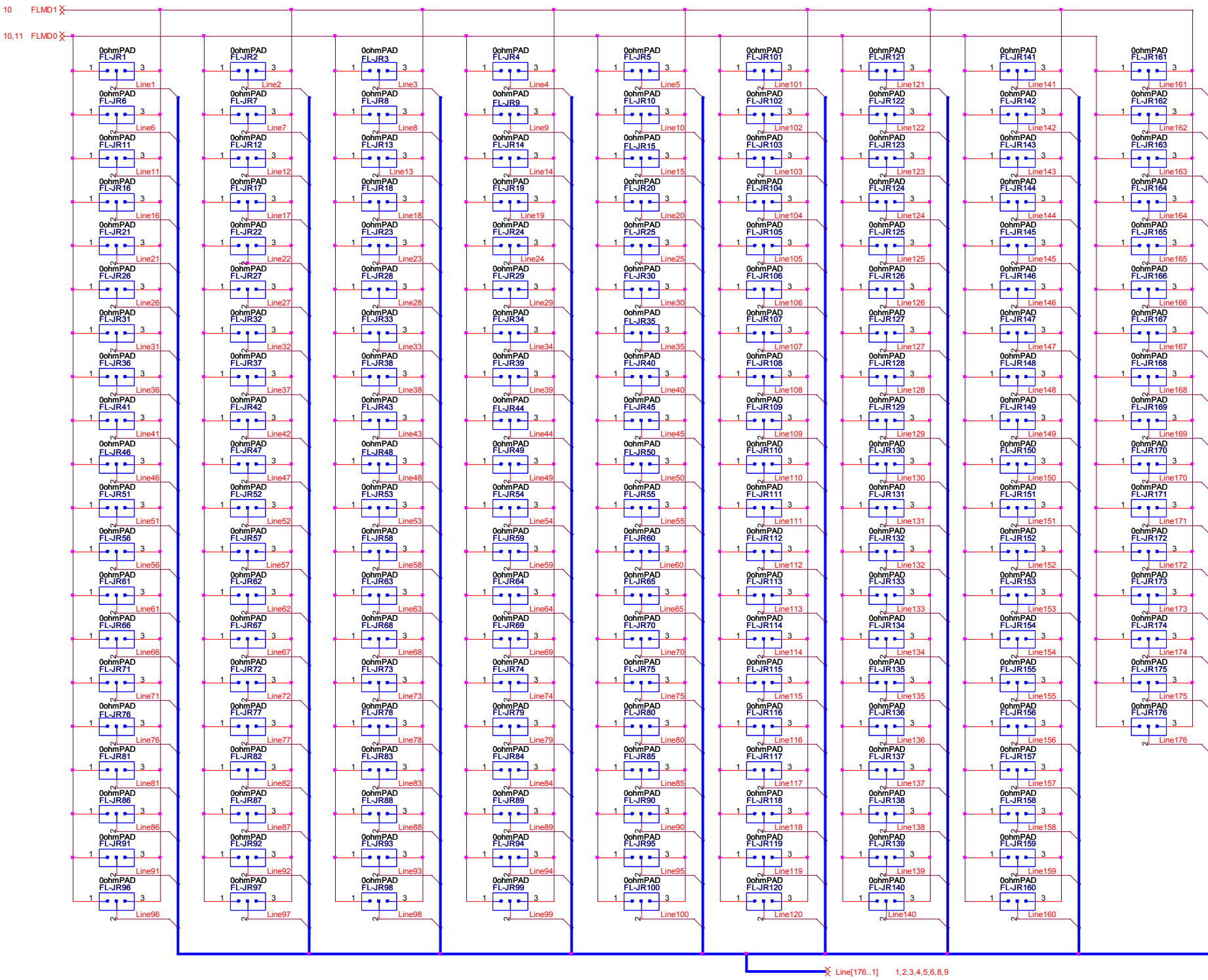
Line[176..1] 1,2,3,5,6,7,8,9



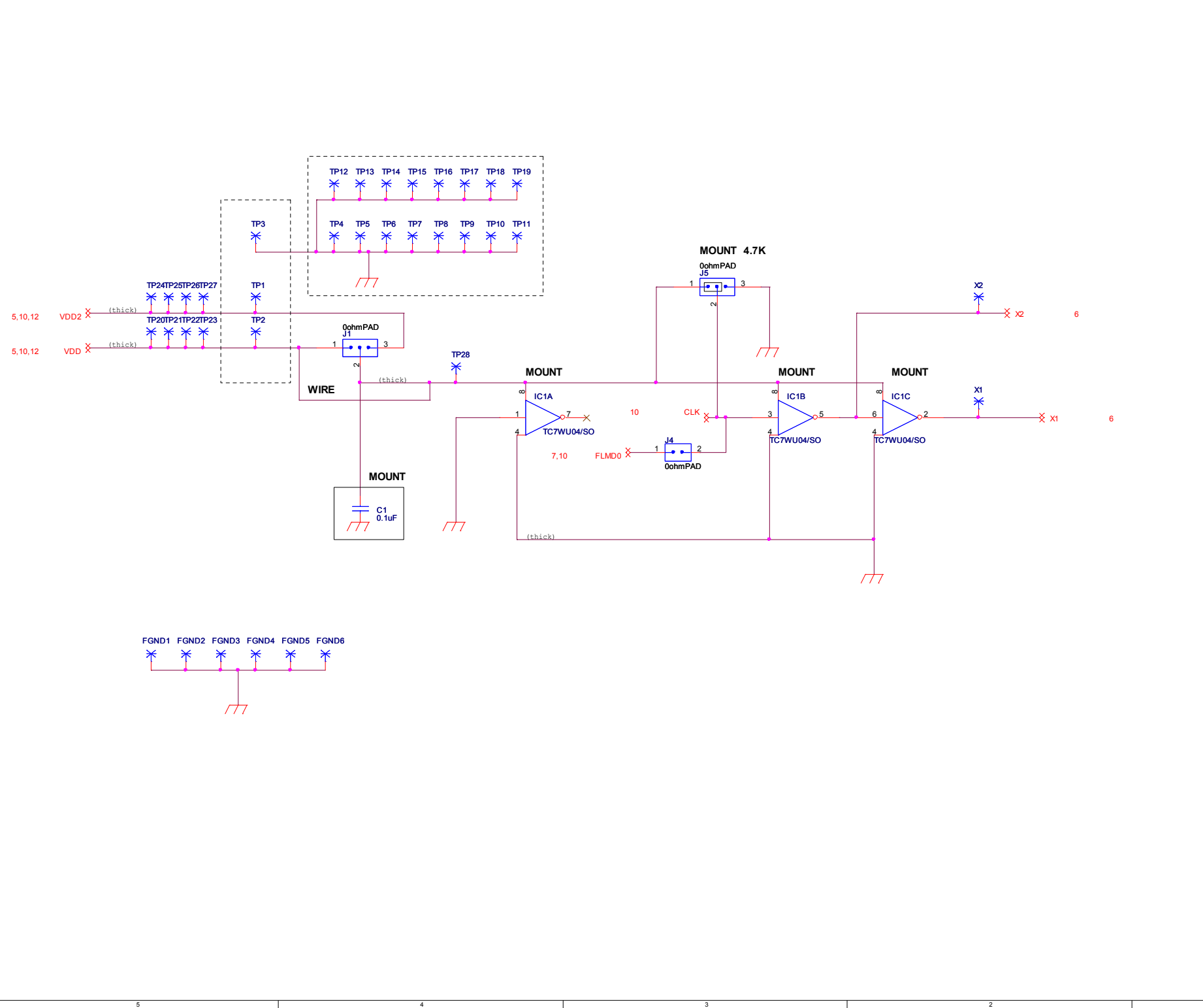
REV	DATE	DESIGNED
DESIGNED	CHECKED	APPROVED
NAME		
FA-176GM-GAR-B (X1/X2)		
NAITO DENSEI MACHIDA MFG.CO.,LTD.		
SHT	6 / 12	

Line[176..1] 1,2,3,4,5,7,8,9

REV	DATE	DESIGNED
DESIGNED	CHECKED	APPROVED
NAME		
FA-176GM-GAR-B (FLMDO/FLMD1)		
NAITO DENSEI MACHIDA MFG.CO.,LTD.		
SHT	7 / 12	



Line[176..1] 1,2,3,4,5,6,8,9

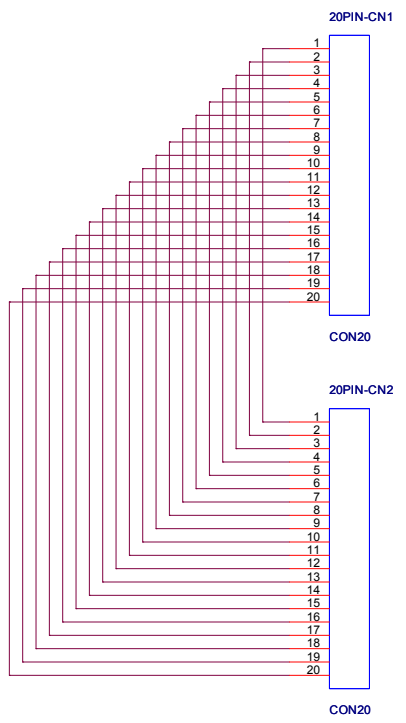
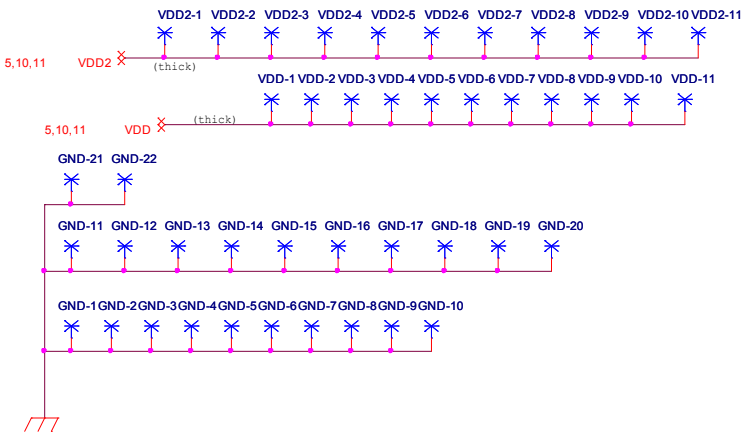


REV	DATE	DESIGNED

DESIGNED	CHECKED	APPROVED

NAME
FA-176GM-GAR-B
(CLK,FGND)

NAITO DENSEI MACHIDA MFG.CO.,LTD.



SH-1	SH-2	SH-3	SH-4	SH-5	SH-6	SH-7	SH-8	SH-9	SH-10	SH-11	SH-12	SH-13	SH-14	SH-15	SH-16	SH-17	SH-18	SH-19	SH-20
SH-21	SH-22	SH-23	SH-24	SH-25	SH-26	SH-27	SH-28	SH-29	SH-30	SH-31	SH-32	SH-33	SH-34	SH-35	SH-36	SH-37	SH-38	SH-39	SH-40
SH-41	SH-42	SH-43	SH-44	SH-45	SH-46	SH-47	SH-48	SH-49	SH-50	SH-51	SH-52	SH-53	SH-54	SH-55	SH-56	SH-57	SH-58	SH-59	SH-60
SH-61	SH-62	SH-63	SH-64	SH-65	SH-66	SH-67	SH-68	SH-69	SH-70	SH-71	SH-72	SH-73	SH-74	SH-75	SH-76	SH-77	SH-78	SH-79	SH-80
SH-81	SH-82	SH-83	SH-84	SH-85	SH-86	SH-87	SH-88	SH-89	SH-90	SH-91	SH-92	SH-93	SH-94	SH-95	SH-96	SH-97	SH-98	SH-99	SH-100
SH-101	SH-102	SH-103	SH-104	SH-105	SH-106	SH-107	SH-108	SH-109	SH-110	SH-111	SH-112	SH-113	SH-114	SH-115	SH-116	SH-117	SH-118	SH-119	SH-120
SH-121	SH-122	SH-123	SH-124	SH-125	SH-126	SH-127	SH-128	SH-129	SH-130	SH-131	SH-132	SH-133	SH-134	SH-135	SH-136	SH-137	SH-138	SH-139	SH-140
SH-141	SH-142	SH-143	SH-144	SH-145	SH-146	SH-147	SH-148	SH-149	SH-150	SH-151	SH-152	SH-153	SH-154	SH-155	SH-156	SH-157	SH-158	SH-159	SH-160
SH-161	SH-162	SH-163	SH-164	SH-165	SH-166	SH-167	SH-168	SH-169	SH-170	SH-171	SH-172	SH-173	SH-174	SH-175	SH-176	SH-177	SH-178	SH-179	SH-180
SH-181	SH-182	SH-183	SH-184	SH-185	SH-186	SH-187	SH-188	SH-189	SH-190	SH-191	SH-192	SH-193	SH-194	SH-195	SH-196	SH-197	SH-198	SH-199	SH-200
SH-201	SH-202	SH-203	SH-204	SH-205	SH-206	SH-207	SH-208	SH-209	SH-210	SH-211	SH-212	SH-213	SH-214	SH-215	SH-216	SH-217	SH-218	SH-219	SH-220
SH-221	SH-222	SH-223	SH-224	SH-225	SH-226	SH-227	SH-228	SH-229	SH-230	SH-231	SH-232	SH-233	SH-234	SH-235	SH-236	SH-237	SH-238	SH-239	SH-240
SH-241	SH-242	SH-243	SH-244	SH-245	SH-246	SH-247	SH-248	SH-249	SH-250	SH-251	SH-252	SH-253	SH-254	SH-255	SH-256	SH-257	SH-258	SH-259	SH-260
SH-261	SH-262	SH-263	SH-264	SH-265	SH-266	SH-267	SH-268	SH-269	SH-270	SH-271	SH-272	SH-273	SH-274	SH-275	SH-276	SH-277	SH-278	SH-279	SH-280
SH-281	SH-282	SH-283	SH-284	SH-285	SH-286	SH-287	SH-288	SH-289	SH-290	SH-291	SH-292	SH-293	SH-294	SH-295	SH-296	SH-297	SH-298	SH-299	SH-300
SH-301	SH-302	SH-303	SH-304	SH-305	SH-306	SH-307	SH-308	SH-309	SH-310	SH-311	SH-312	SH-313	SH-314	SH-315	SH-316	SH-317	SH-318	SH-319	SH-320
SH-321	SH-322	SH-323	SH-324	SH-325	SH-326	SH-327	SH-328	SH-329	SH-330	SH-331	SH-332	SH-333	SH-334	SH-335	SH-336	SH-337	SH-338	SH-339	SH-340
SH-341	SH-342	SH-343	SH-344	SH-345	SH-346	SH-347	SH-348	SH-349	SH-350	SH-351	SH-352	SH-353	SH-354	SH-355	SH-356	SH-357	SH-358	SH-359	SH-360
SH-361	SH-362	SH-363	SH-364	SH-365	SH-366	SH-367	SH-368	SH-369	SH-370	SH-371									

REV	DATE	DESIGNED
DESIGNED	CHECKED	APPROVED
NAME		
FA-176GM-GAR-B (-A 20pin,etc)		
NAITO DENSEI MACHIDA MFG.CO.,LTD.		
SHT		12/12