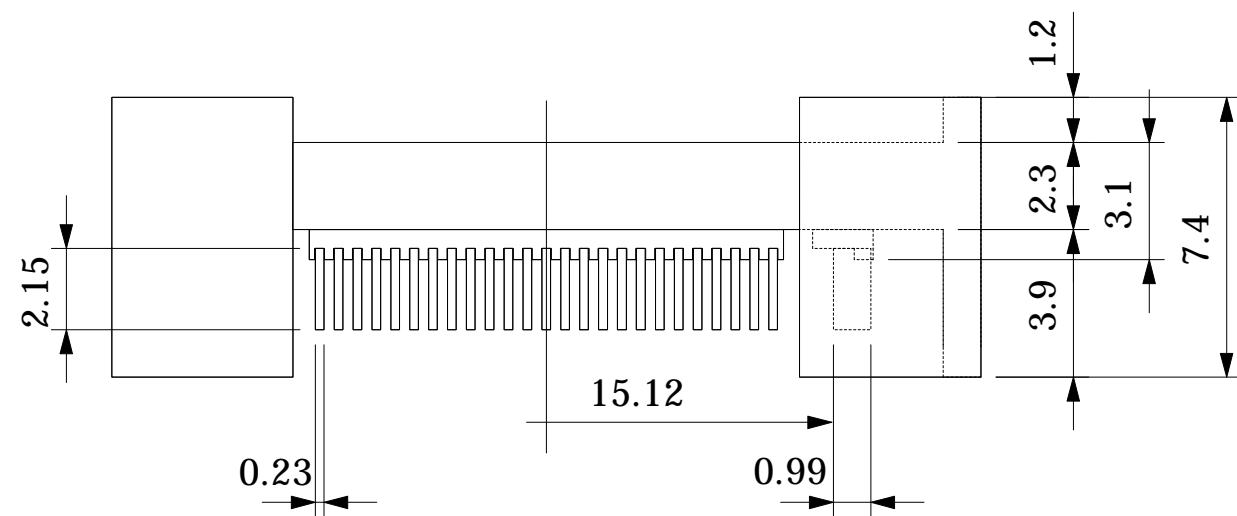


\* Applicable size of IC package : IC body size 14.0 x 14.0 mm  
IC outer size 16.0 x 16.0 mm



|            |              |
|------------|--------------|
| Part No.   | 100GC-HQ-01T |
| IC package | Square       |
| Pin count  | 100Pin       |
| Lead pitch | 0.5mm        |
| Unit : mm  | Design :     |
|            |              |