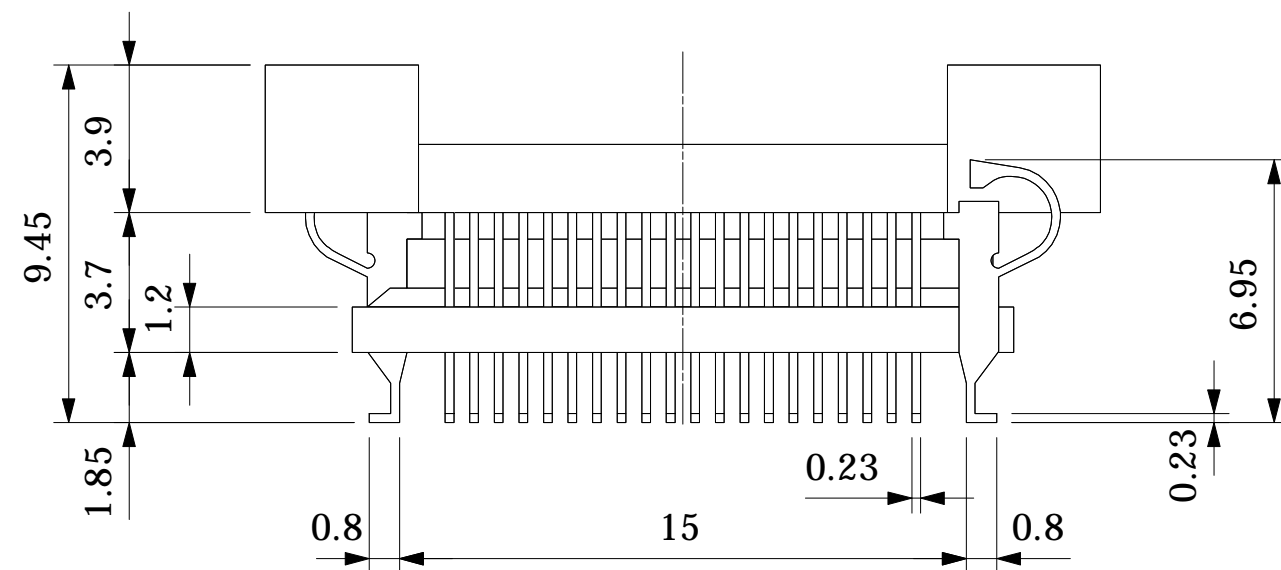


4-ø2.0 (A projection height : 1.8mm)

BOTTOM VIEW



Part No.	80GC-NQ-01T
IC package	Square
Pin count	80Pin
Lead pitch	0.65mm
Unit : mm	Design :